



elektrosistem



PR2 TWO DIRECTION ACCELERATOR

The PR2 two direction accelerator enables the control of both direction and speed through a lever or a pedal and can be used as manual accelerator or foot pedal.

Mechanical installation and electrical connections are very simple. The accelerator is supplied complete with wiring (approx. 5 cm) and connector.

The aluminium structure guarantees high efficiency and long life, even when used in environments with a high level of humidity.

The precision assembly carried out on ground shaft guarantees a very low mechanical wear and the absence of clearances.

Running is enabled by cam controlled switches and speed control occurs through a center tapped 5+5Kohm potentiometer.

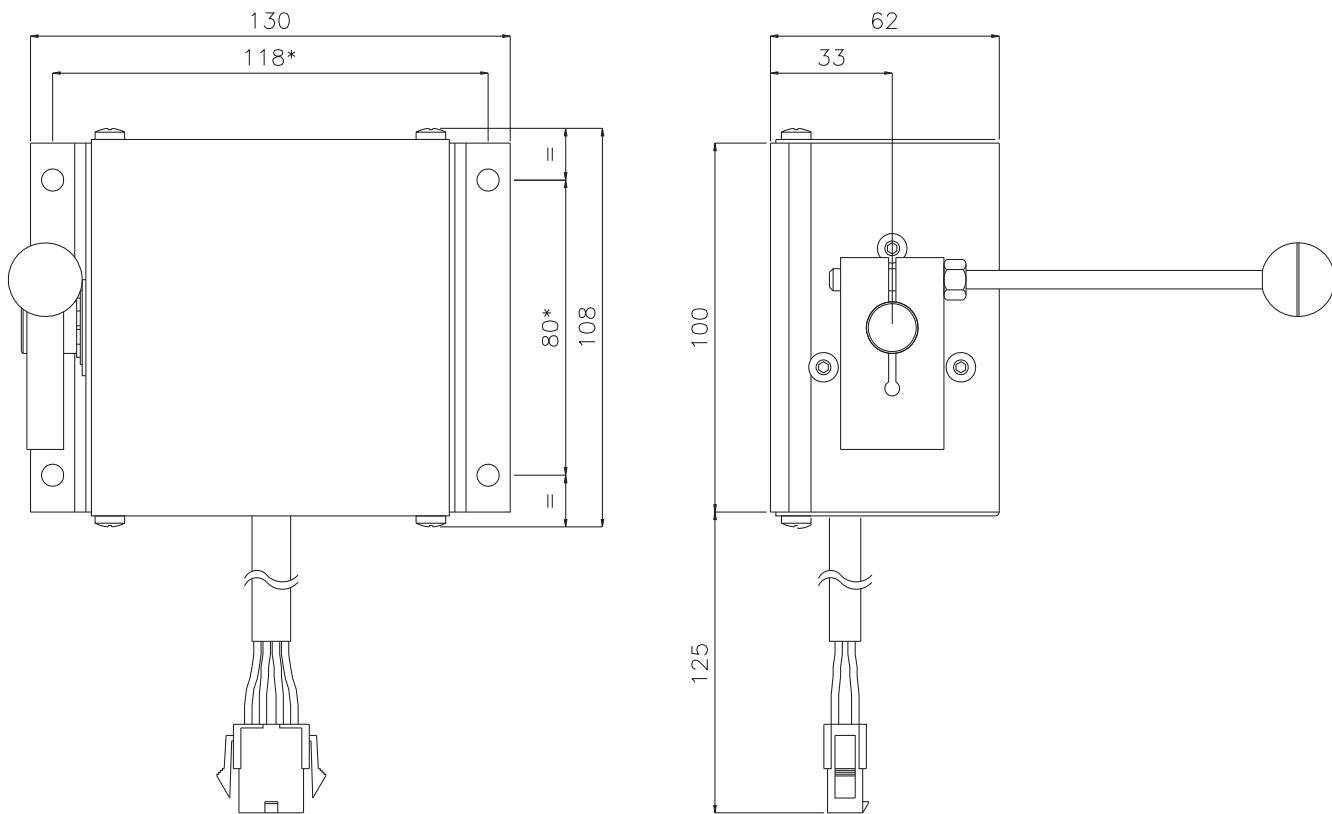
The accelerator can be supplied with or without lever according to the application. A 50 mm short lever or a 110 mm long lever are available. In addition the short lever can be combined with a knob to obtain a manual accelerator.

MODELS

Part number	Description
21.000030	PR2 - Two direction accelerator with 50 mm lever
21.000031	PR2 - Two direction accelerator with 100 mm lever
21.000032	PR2 - Two direction accelerator without lever
21.000033	PR2 - Two direction accelerator with 50 mm lever, shaft and knob

~~NEWS~~

DIMENSIONS AND MOUNTING



* Mounting holes: 4xØ5.5mm

N.B. Dimensions in mm

LEVERS

